



# Super Luft Pump

## Instructions

Model Number 100105143



SL-38 & SL-65

**Please read these instructions  
in their entirety before attempting  
to use this product.**

# IMPORTANT SAFETY INSTRUCTIONS

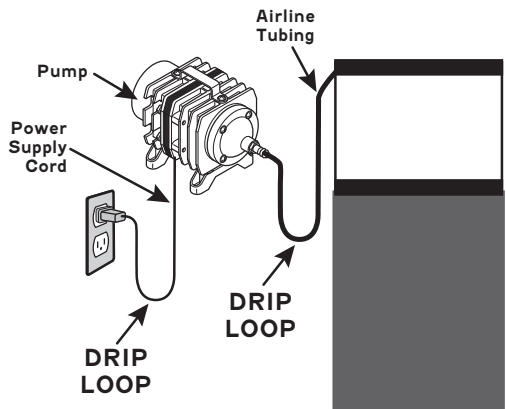
**WARNING** – To guard against injury, basic safety precautions should be observed including the following:

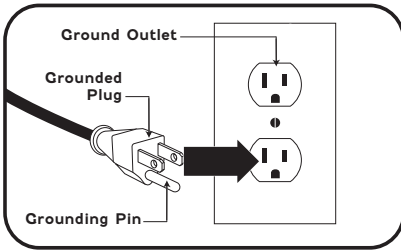
## READ AND FOLLOW ALL SAFETY INSTRUCTIONS

**DANGER** – To avoid possible electric shock, special care should be taken since water is employed in the use of aquarium equipment. For each of the following situations, return the appliance to an authorized service facility for service or discard the appliance.

1. A. If the appliance shows any sign of abnormal water leakage, immediately unplug it from the power source.  
B. Carefully examine the appliance after installation. It should not be plugged in if there is water on the parts not intended to be wet.  
C. Do not operate any appliance if it has a damaged cord or plug, or if it is malfunctioning or if it is dropped or damaged in any manner.  
D. To avoid the possibility of the appliance plug or receptacle getting wet, position aquarium stand and tank to one side of the wall mounted receptacle to prevent water from dripping onto the receptacle or plug. As shown in the figure below, a “drip loop” should be arranged by the user for each cord connecting an aquarium appliance to the receptacle. The “drip loop” is the part of the cord below the level of the receptacle, or the connector if an extension cord is used, to prevent water travel along the cord and coming in contact with the receptacle. If the plug or the receptacles do get wet, DON'T unplug the cord. Disconnect the fuse to the circuit breaker that supplies power to the appliance. Then unplug and examine for the presence of water in the receptacle.
2. Close supervision is necessary when any appliance is used by or near children.
3. To avoid injury, do not contact moving parts or hot parts such as heaters, reflectors, lamp bulbs, etc.
4. Always unplug an appliance from the outlet when not in use, before putting on or taking off parts, and before cleaning. Never yank the cord to pull plug from the outlet. Grasp the plug and pull to disconnect.
5. Do not use an appliance for other than intended use. The use of attachments not recommended or sold by the appliance manufacturer may cause an unsafe condition.
6. Do not install or store the appliance where it will be exposed to the weather or to temperatures below freezing.
7. Make sure an appliance mounted on a tank is securely installed before operating it.
8. Read and observe all the important notices on the appliance.
9. If an extension cord is necessary, a cord with a proper rating should be used. A cord rated for less amperes or watts than the appliance rating may overheat. Care should be taken to arrange the cord so that it will not be tripped over or pulled.
10. The appliance is intended for household use.
11. If the appliance falls into the water, DON'T reach for it! First unplug it and then retrieve it. If electrical components of the appliance get wet, unplug the appliance immediately. (Non-immersible equipment only)

## SAVE THESE INSTRUCTIONS





**Figure A2**  
**Three-Prong Receptacle**

# Grounding

## Grounding Setup

This appliance should be grounded to minimize the possibility of electric shock. This appliance is equipped with an electric cord with an equipment grounding conductor and a grounding-type plug. The plug must be plugged into an appropriately grounded outlet.

This appliance is for use on a nominal 120-volt circuit and has a grounding plug that looks like the plug illustrated below. (fig. B3)

A temporary adaptor may be used to connect this plug to a two-pole receptacle if a grounded outlet is not available (fig. B1)

The temporary adaptor should be used only until a grounded outlet can be installed by a qualified electrician.

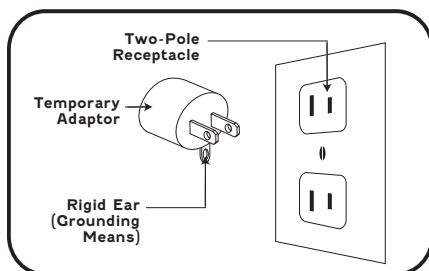
## Grounding Installation

The green-colored rigid ear (screw and the like) extending from the adaptor must be fastened to a permanent ground, such as a ground outlet box. (fig. B2)

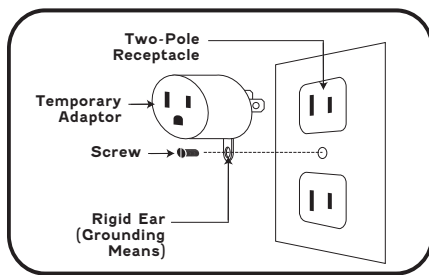
1. Plug temporary adaptor into two-pole outlet. (fig. B3)
2. Insert screw through rigid ear on temporary adaptor and into grounded outlet box.

## Power Strip Setup

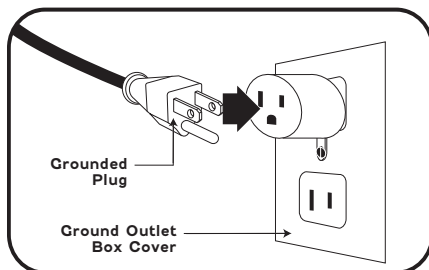
1. If using a power strip, the ground connector must be plugged into a receptacle controlled by a GFI (ground fault interrupter) circuit breaker.
2. Make sure to place the power strip in a dry and safe area away from the aquarium in order to avoid moisture.
3. Place power strip in a secure and stable area so that it cannot fall into the aquarium or sump.
4. Make sure all receptacles are protected from water: splash, spilling and evaporation.



**Figure B1**  
**Temporary Adaptor**



**Figure B2**  
**Temporary Adaptor Installation**

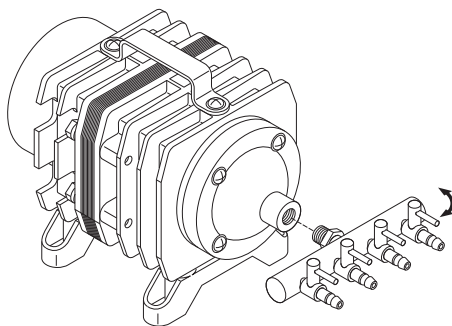


**Figure B3**  
**Grounded Plug Connection**

# Attachments

## Adjustable 4-Outlet Metal Valve (Figure C1)

1. Connect Adjustable 4-Outlet Metal Valve by turning clockwise into pump end. **DO NOT overtighten.**
2. Adjust the airflow to each individual outlet by turning adjustment valve. The closer the valve is to being parallel with the outlet, the less the airflow is restricted. As you turn the valve away from being parallel with the outlet, the airflow becomes more restricted.
3. Attach airline tubing (not included) to outlets, position and plug in.

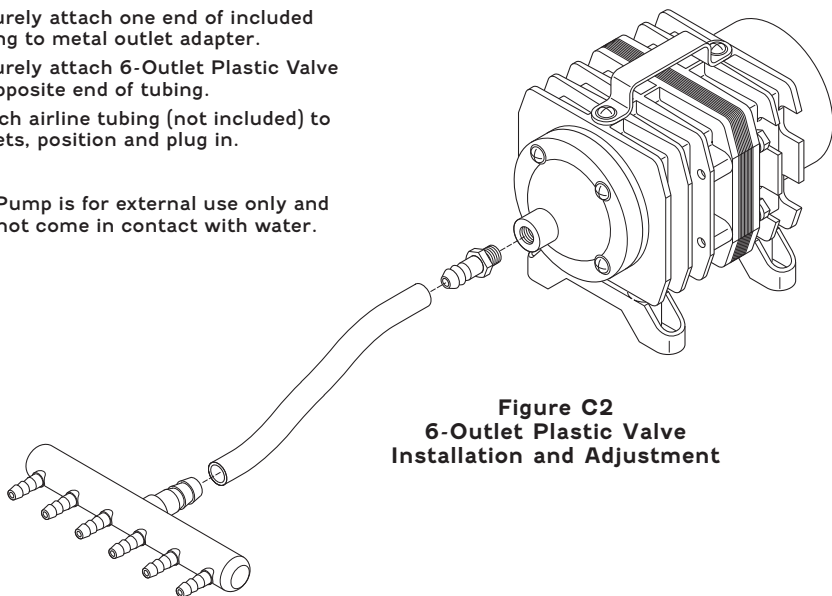


**Figure C1**  
**4-Outlet Metal Valve**  
**Installation and Adjustment**

## 6-Outlet Plastic Valve (Figure C2)

1. Connect metal outlet adapter by turning clockwise into pump end. **DO NOT overtighten.**
2. Securely attach one end of included tubing to metal outlet adapter.
3. Securely attach 6-Outlet Plastic Valve to opposite end of tubing.
4. Attach airline tubing (not included) to outlets, position and plug in.

**NOTE:** Pump is for external use only and should not come in contact with water.



**Figure C2**  
**6-Outlet Plastic Valve**  
**Installation and Adjustment**

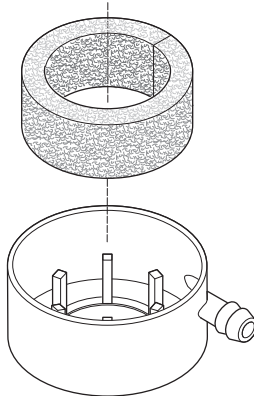
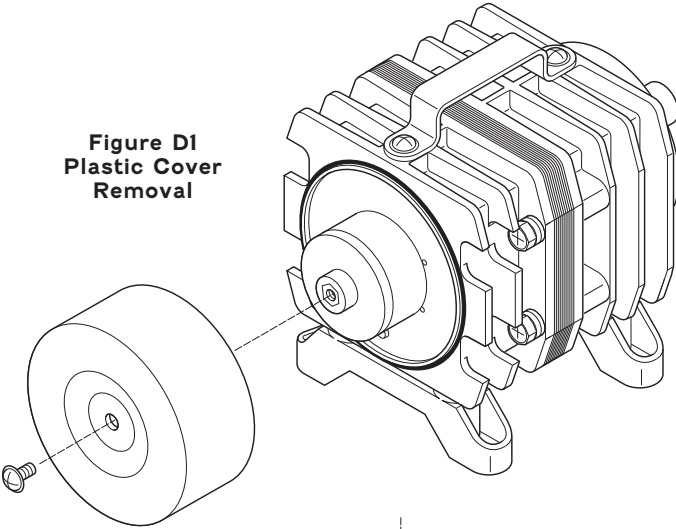
# Maintenance

## Clean the Air Filter Every 3 Months

(Figure D1 and D2)

1. Unplug pump and disconnect any airline tubing from valves.  
Allow pump to completely cool down.
2. Remove screw from back plastic cover with a crosshead screwdriver, and remove back plastic cover from pump (fig. D1).
3. Remove air filter from inside of back cover (fig. D2).
4. Rinse air filter under cool water to remove any dust and debris.
5. Allow to dry completely, replace air filter in back cover, and reattach back cover using screw.

**Figure D1**  
Plastic Cover  
Removal



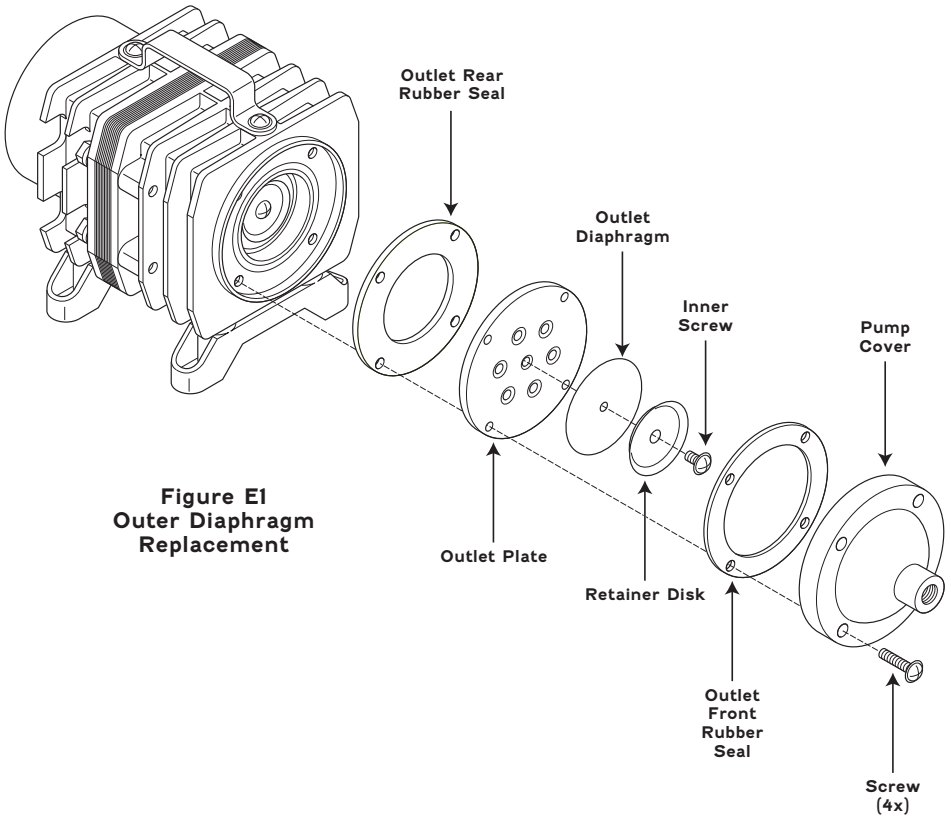
**Figure D2**  
Air Filter  
Removal

# Maintenance cont'd

## Outer Diaphragm (flapper) Replacement

### (Figure E1)

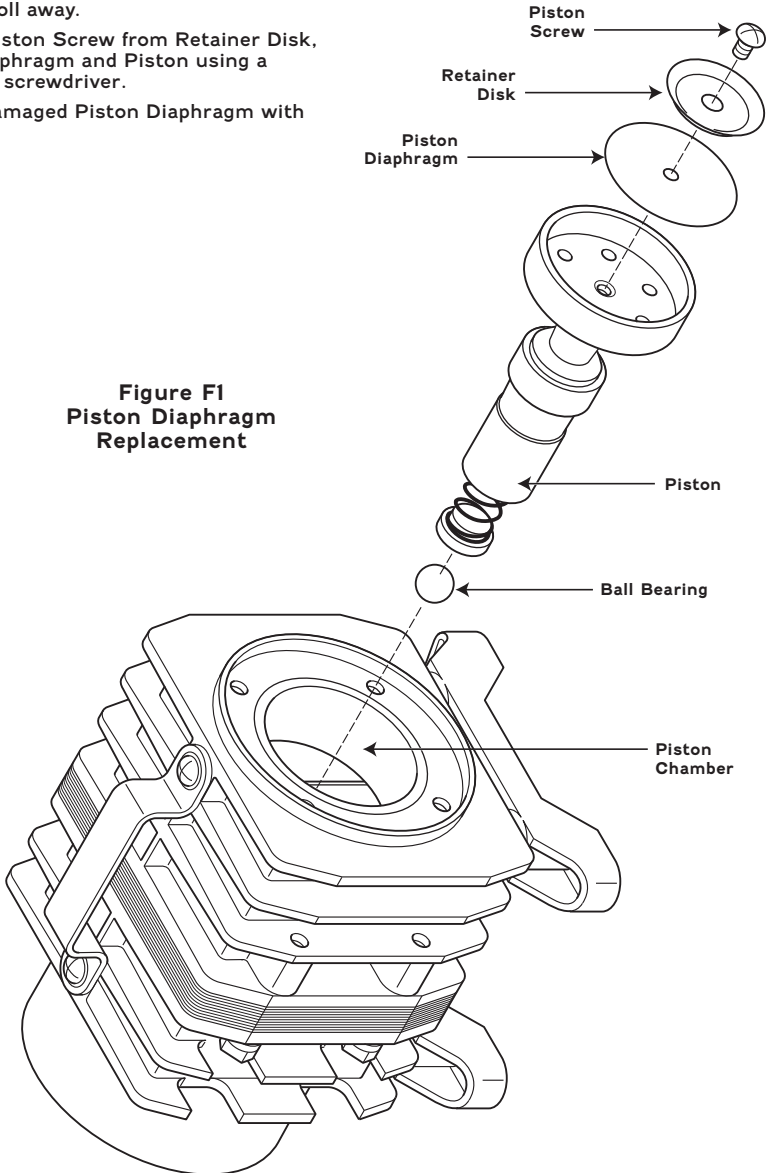
1. Remove four screws from Pump Cover using a crosshead screwdriver. Remove Pump Cover from pump.
2. Remove Inner Screw from Retainer Disk, Outlet Diaphragm and Outlet Plate using a crosshead screwdriver.
3. Replace damaged Outlet Diaphragm with new one and reassemble.



# Maintenance cont'd

## Piston Diaphragm (flapper) Replacement (Figure F1)

1. Remove Pump Cover and all accompanying pieces according to Outer Diaphragm Replacement instructions on previous page.
2. Stand pump upright on back plastic cover. Remove entire Piston assembly from Piston Chamber. **NOTE:** Be mindful of the ball bearing inside Piston Chamber so that it does not roll away.
3. Remove Piston Screw from Retainer Disk, Piston Diaphragm and Piston using a crosshead screwdriver.
4. Replace damaged Piston Diaphragm with new one.



**Figure F1  
Piston Diaphragm  
Replacement**



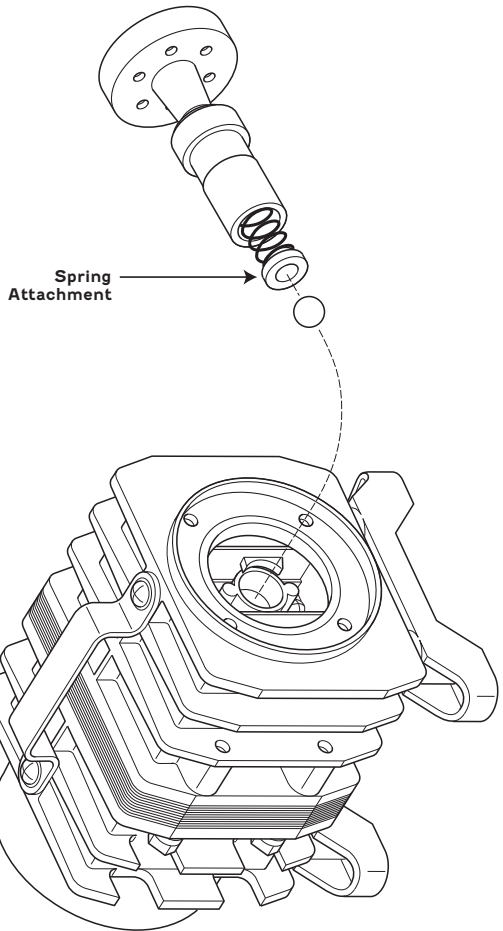
# Maintenance cont'd

## Piston Diaphragm (flapper) Reassembly (Figure F2)

1. Re-attach Piston Diaphragm Lock and new Piston Diaphragm to Piston using Piston Screw.
2. While still standing upright on back plastic cover, insert entire Piston assembly into Piston Chamber, making sure that concave edge of Spring Attachment is over Ball Bearing.

NOTE: Top of Piston should be flush with edge of Piston Chamber.

3. Reassemble and replace Pump Cover and all accompanying parts according to Outer Diaphragm replacement instructions on page 7.



**Figure F2**  
**Piston Diaphragm**  
**Reassembly**

**Coralife® Super Luft Pump  
Application Chart**

|                         | <b>SL-65</b>                          | <b>SL-38</b>                           |
|-------------------------|---------------------------------------|--|
| <b>PUMP DIMENSIONS</b>  | 6"L x 4"W x 5"H                       | 5"L x 3"W x 4"H                        |
| <b>OUTPUT PRESSURE</b>  | 3.9 PSI                               | 2.9 PSI                                |
| <b>OUTPUT FLOW RATE</b> | 2.3 cubic feet/min<br>(65 liters/min) | 1.34 cubic feet/min<br>(38 liters/min) |
| <b>TOTAL WATTAGE</b>    | 35 watts                              | 22 watts                               |
| <b>POWER SUPPLY</b>     | 120V / 60Hz                           | 120V / 60Hz                            |
| <b>TOTAL CURRENT</b>    | .06 Amps                              | .04 Amps                               |

**For Freshwater or Saltwater Use**

# Limited Warranty\*

Coralife warrants that this product shall be free from defective electrical components due to defects in materials or workmanship for a period of twelve months from the date of purchase. If a defect is shown, Coralife will, at Coralife's sole discretion, either repair or replace the product without charge. No cash refunds will be made. This warranty is provided solely to the original consumer purchaser of the product and may not be transferred or assigned.

This warranty does not apply to damage resulting from accident, misuse, abuse, lack of reasonable care, failure to follow safety and installation instructions, use of the product with non-standard electrical service, or any other defect not resulting from defects in the electrical components of the product or defects in materials or workmanship. This warranty will not be effective unless and until the Coralife product is shown to have been used in accordance with the safety and installation instructions accompanying the product, including the requirement that the product be used over a covered aquarium.

**THIS CONSTITUTES CORALIFE'S ENTIRE WARRANTY AND CORALIFE MAKES NO OTHER WARRANTIES, WHETHER EXPRESS OR IMPLIED, WITH RESPECT TO THE PRODUCT. CORALIFE SPECIFICALLY DISCLAIMS ANY AND ALL IMPLIED WARRANTIES, INCLUDING, WITHOUT LIMITATION, WARRANTIES OF MERCHANTABILITY AND FITNESS FOR A PARTICULAR PURPOSE. IF CORALIFE CANNOT LAWFULLY DISCLAIM IMPLIED WARRANTIES UNDER THIS LIMITED WARRANTY, ALL SUCH WARRANTIES, INCLUDING WARRANTIES OF MERCHANTABILITY AND FITNESS FOR A PARTICULAR PURPOSE ARE LIMITED IN DURATION TO THE DURATION OF THIS WARRANTY.**

CORALIFE IS NOT RESPONSIBLE FOR DIRECT, SPECIAL, INCIDENTAL OR CONSEQUENTIAL DAMAGES RESULTING FROM ANY BREACH OF WARRANTY OR CONDITION, OR UNDER ANY OTHER LEGAL THEORY. CORALIFE EXPRESSLY DISCLAIMS ALL ALLEGED DAMAGES FOR LOSS OF AQUATIC LIFE, PERSONAL INJURY, AND/OR PROPERTY DAMAGE. Some states and provinces do not allow the exclusion or limitation of incidental or consequential damages or exclusions or limitations on the duration of implied warranties or conditions, so the above limitations or exclusions may not apply to you. This warranty gives you specific legal rights, and you may also have other rights that vary by state or province.

Coralife shall not have any obligations under this warranty unless the owner notifies Coralife in writing of any alleged defect(s) within 30 days of discovery of the defect(s). Any notice to Coralife must be delivered by United States or electronic mail to one of the following addresses:

U.S. Mail:

Central Aquatics - Coralife  
5401 West Oakwood Park Drive  
Franklin, Wisconsin 53132

Electronic Mail:

info@Central-Aquatics.com

Coralife shall be allowed a reasonable period of time to investigate any warranty claim and to perform any testing Coralife deems necessary to determine the cause of the defect. This warranty shall be interpreted under the laws of the state of Wisconsin.

For additional information regarding this limited warranty, please contact us at the addresses above, or call us at 888-255-4527.

*\*Lamps are not included in this warranty.*

A product of Central Aquatics  
(Division of Central Garden & Pet Company)  
Franklin, WI 53132 888.255.4527

Coralife is a registered trademark of Central Garden & Pet Company

©2024 Central Garden & Pet Company

Made in China