

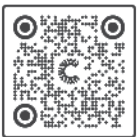


# Marine Filter with Protein Skimmer Instructions



Please read these instructions  
in their entirety before  
attempting to use this product.

*For saltwater applications only*



For questions or inquiries about  
this product, please visit us online at  
[coralife.com](http://coralife.com) or call 888-255-4527

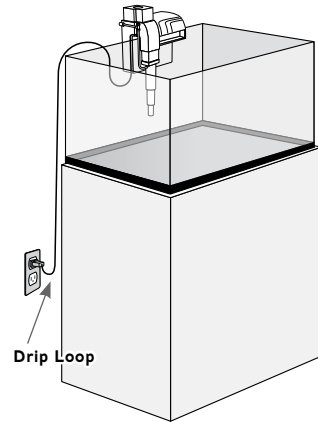


# IMPORTANT SAFETY INSTRUCTIONS

**WARNING** - To guard against injury, basic safety precautions should be observed including the following:

## 1. READ AND FOLLOW ALL SAFETY INSTRUCTIONS.

- DANGER** - To avoid possible electric shock, special care should be taken since water is employed in the use of aquarium equipment. For each of the following situations, do not attempt to repair yourself.
  - If the appliance shows any sign of abnormal water leakage, immediately unplug it from power.
  - Carefully examine the appliance after installation. It should not be plugged in if there is water on the parts not intended to be wet.
  - Do not operate any appliance if it has a damaged cord or plug, if it is malfunctioning or if it is dropped or damaged in any manner.
  - To avoid the possibility of the appliance plug getting wet, position aquarium stand and tank to one side of a wall mounted receptacle to prevent water from dripping onto the receptacle or plug. A "drip loop", shown in the figure below, should be arranged by the user for each cord connecting an aquarium appliance to the receptacle. The "drip loop" is the part of the cord below the level of the receptacle, or the connector if an extension cord is used, to prevent water traveling along the cord and coming in contact with the receptacle. If the plug or receptacle does get wet, DO NOT unplug the cord. Disconnect the fuse to the circuit breaker that supplies power to the appliance. Then unplug and examine for the presence of water in the receptacle.
- Close supervision is necessary when any appliance is used by or near children.
- To avoid injury, do not contact moving parts or hot parts such as heaters, reflectors, lamp bulbs, and the like.
- Always unplug the appliance from the outlet when not in use, before putting on or taking off parts, and before cleaning. Never yank the cord to pull plug from outlet. Grasp the plug and pull to disconnect.
- Do not use an appliance for other than intended use. The use of attachments not recommended or sold by the appliance manufacturer may cause an unsafe condition.
- Do not install or store the appliance where it will be exposed to the weather or to temperatures below freezing.
- Make sure an appliance mounted on a tank is securely installed before operating it.
- Read and observe all the important notices on the appliance.
- If an extension cord is necessary, a cord with a proper rating should be used. A cord rated for less amperes or watts than the appliance rating may overheat. Care should be taken to arrange the cord so that it will not be tripped over or pulled.



### ONLY FOR POLARIZED ATTACHMENT PLUG APPLIANCES

- This appliance has a polarized plug (one blade is wider than the other) as a safety feature, this plug will fit in a polarized outlet only one way. If the plug does not fit fully in the outlet, reverse the plug. If it still does not fit, contact a qualified electrician. Never use with an extension cord unless plug can be fully inserted. Do not attempt to defeat this safety feature.

## 12. SAVE THESE INSTRUCTIONS.

# CONSIGNES DE SÉCURITÉ IMPORTANTES

**AVERTISSEMENT** - Pour protéger contre les blessures, respecter les consignes de sécurité de base, notamment ce qui suit :

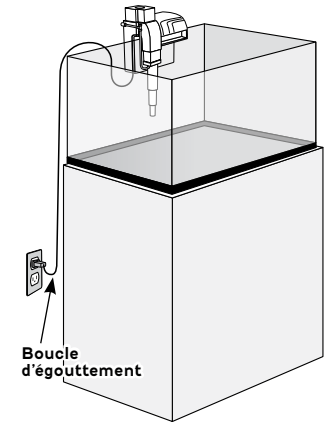
## 1. LIRE ET RESPECTER TOUTES LES INSTRUCTIONS DE SÉCURITÉ.

- DANGER** - Pour écarter les risques de décharge électrique, faire preuve de précautions particulières en raison de la présence d'eau dans l'aquarium. Dans chacune des situations ci-dessous, ne pas tenter de réparer soi-même ; renvoyer l'appareil à un centre de réparation agréé ou le mettre au rebut.
  - Si l'appareil montre des signes de fuite d'eau anormale, le débrancher immédiatement.
  - Examiner l'appareil avec soin après son installation. Ne pas le brancher s'il y a de l'eau sur des pièces non destinées à être mouillées.
  - Ne pas utiliser un appareil s'il a un cordon ou une fiche endommagés, s'il fonctionne mal, s'il est tombé ou s'il a été endommagé d'une quelconque façon.
  - Pour écarter le risque de mouiller la fiche de l'appareil ou la prise de courant, placer le socle et la cuve de l'aquarium sur le côté par rapport à la prise murale, afin d'éviter que l'eau ne goutte sur la prise ou la fiche. Prévoir une « boucle d'égouttement », illustrée ci-dessous, sur chaque cordon qui raccorde un appareil de l'aquarium à la prise de courant. La « boucle d'égouttement » est la portion de cordon en dessous du niveau de la prise, ou du connecteur si un cordon de rallonge est utilisé, pour empêcher l'eau de s'écouler le long du cordon et de venir au contact de la prise. Si la fiche ou la prise sont mouillées, NE PAS débrancher le cordon. Couper l'électricité au niveau du disjoncteur qui alimente l'appareil. Débrancher ensuite le cordon et voir s'il y a de l'eau dans la prise de courant.
- Une supervision étroite est nécessaire lors de l'utilisation de tout appareil électrique par des enfants ou à leur proximité.
- Pour éviter les blessures, ne pas toucher de pièces en mouvement ni de pièces chaudes telles que radiateurs, réflecteurs, ampoules, etc.
- Toujours débrancher un appareil de la prise de courant lorsqu'il n'est pas utilisé, avant de poser ou d'enlever des pièces et avant de le nettoyer. Ne jamais tirer sur le cordon pour sortir la fiche de la prise. Saisir la fiche et tirer pour débrancher.
- Ne pas utiliser un appareil à d'autres fins que celles prévues. L'emploi d'accessoires non recommandés ni vendus par le fabricant de l'appareil peut produire une situation dangereuse.
- Ne pas installer ni entreposer l'appareil dans un endroit exposé aux intempéries ou à des températures inférieures au gel.
- S'assurer qu'un appareil monté sur un aquarium est solidement installé avant de le mettre en marche.
- Lire et respecter toutes les consignes importantes figurant sur l'appareil.
- Si un cordon de rallonge est nécessaire, utiliser un cordon de capacité suffisante. Un cordon prévu pour des intensités (A) ou des puissances (W) inférieures à celles de l'appareil peut surchauffer. Veiller à disposer le cordon de manière à éviter tout risque de trébuchement ou d'arrachement.

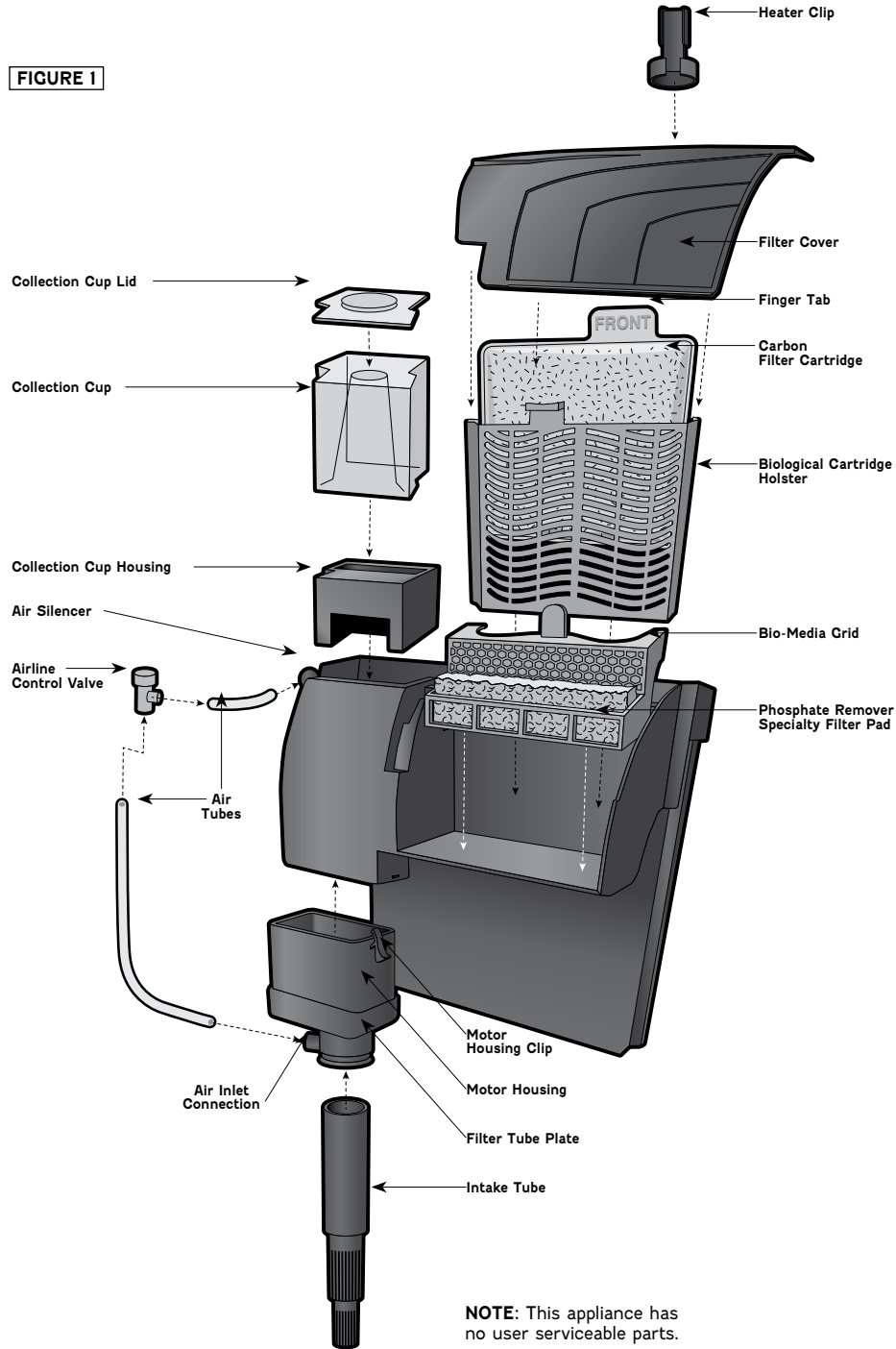
### APPAREILS À FICHE POLARISÉE SEULEMENT

- Cet appareil est muni d'une fiche polarisée (une lame est plus large que l'autre) comme mesure de sécurité; cette fiche ne peut être branchée dans une prise polarisée que dans un sens. Si la fiche ne rentre pas complètement dans la prise, retourner la fiche. Si elle ne rentre toujours pas, contacter un électricien qualifié. Ne jamais utiliser avec un cordon de rallonge si la fiche ne s'enfonce par complètement. Ne pas tenter de contourner ce dispositif de sécurité.

## 12. CONSERVER CES INSTRUCTIONS.



**FIGURE 1**



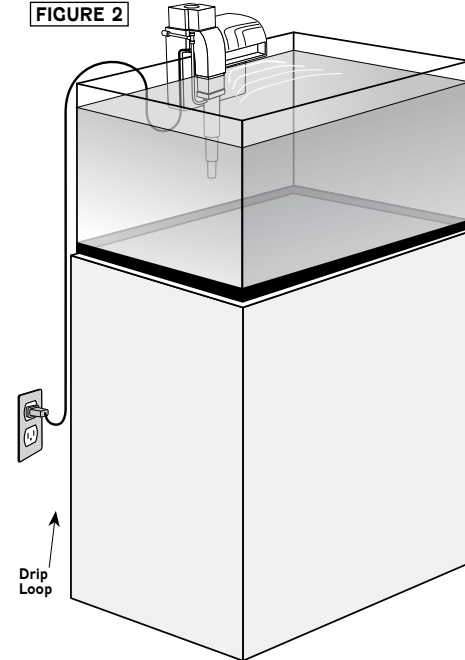
## INSTALLATION

*(For saltwater applications only)*

### Installing the filter:

1. Check for any signs of shipping damage. If damaged, do not operate and return to the place of purchase.
2. Remove cartridge from bag(s) and rinse under cold water to remove carbon dust.
3. Install cartridge as shown in **Figure 1** (on previous page). Biological cartridge holster and cartridge must face forward; both are labeled "Front".
4. Remove collection cup housing and lid from plastic bag and place in collection cup base.
5. Check pump position; ensure it is inserted fully with motor housing clip in place and power cord is routed correctly.
6. Install filter on aquarium as shown in **Figure 2**.
7. Fill tank with water to 1" from tank's top edge.
8. Plug power cord into house receptacle. (Remember to incorporate "Drip Loop" when plugging in the filter.) Filter will begin to draw water from the tank, pump water into filter through cartridge and return it to tank.
9. Top off the aquarium water level to outside bottom edge of top frame.

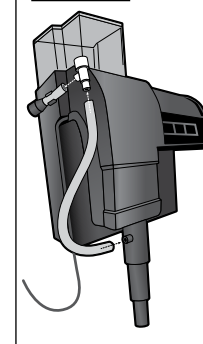
**FIGURE 2**



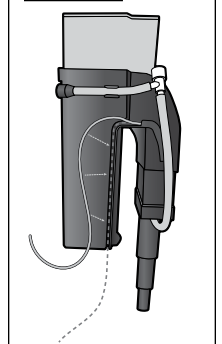
### Connecting Air Tubing

1. Connect one end of the long tube to the air inlet connection point located on the filter's intake and the other end to the airline control valve. **Figure 3**
2. Connect one end of the short tube to the air silencer and the other end to the airline control valve. **Figure 4**
3. Snap short hose into hose clamp on the side of the filter housing.

**FIGURE 3**



**FIGURE 4**

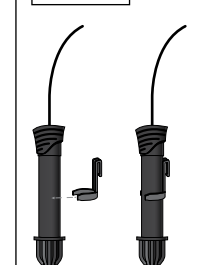


### Installing a Heater:

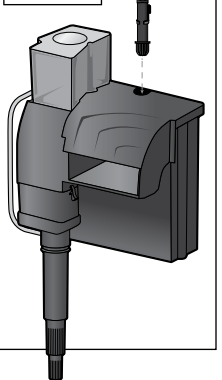
1. If you choose to use a heater, a heater clip is included. (A 50-100W heater is recommended for use with this filter.)
2. Snap heater clip to heater. **Figure 5**
3. Place heater vertically into filter body. **Figure 6**
4. The heater's power cord should come out of the top of the filter lid.
5. Plug heater into household receptacle.

**NOTE:** The heater should fit within the body of the filter. If your selected heater does not fit, please do not force it to fit within the filter; simply hang or use suction cups to install in the aquarium. Do not run heater dry. Unplug heater when cleaning or servicing filter.

**FIGURE 5**



**FIGURE 6**



## OPERATION

Open airline control valve fully to begin protein skimming within the main chamber and cone. Adjust to achieve desired skimming operation. For best results, run the skimmer 24 hours a day. The skimmer can be temporarily silenced by closing the airline control valve, if necessary.

|                                                                                        |                                                                                                                                                                                                                                                                          |
|----------------------------------------------------------------------------------------|--------------------------------------------------------------------------------------------------------------------------------------------------------------------------------------------------------------------------------------------------------------------------|
| <p><b>NOTE:</b><br/>Variables that affect skimming to produce dry or wet foam are:</p> | <ul style="list-style-type: none"> <li>-New fish or invertebrates</li> <li>-Water changes</li> <li>-Frequent feeding</li> <li>-Maintenance</li> <li>-Change in water chemistry</li> <li>-Inserting hands in the aquarium</li> <li>-Supplements and medication</li> </ul> |
|----------------------------------------------------------------------------------------|--------------------------------------------------------------------------------------------------------------------------------------------------------------------------------------------------------------------------------------------------------------------------|

## MAINTENANCE

(Refer to Figure 1 on page 4)

### Filter Cartridge:

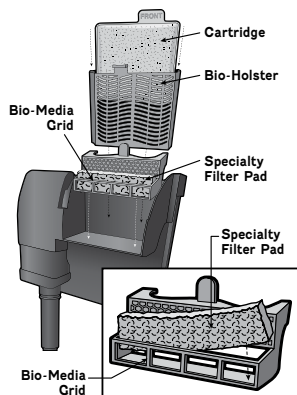
1. Unplug unit from power source; this will minimize the flow of debris into the aquarium when cartridge is removed.
2. Remove lid.
3. Using finger tab on cartridge, remove used cartridge from filter and discard.
4. Remove new cartridge from bag and rinse under cold water to remove carbon dust.
5. Install new cartridge and replace cover.
6. For optimal effectiveness, the carbon cartridge should be replaced every 3-4 weeks.

### Specialty Filter Pad:

Specialty filter pad should be replaced every 2-3 weeks. Phosphate Remover is recommended.

1. Remove filter cover.
2. Remove bio-media grid from filter by pulling upward on the tab.
3. Remove specialty filter pad and discard.
4. Insert new specialty filter pad into the bio-media grid and return to filter.

**NOTE:** Do not discard bio-media grid. At the time of replacement, rinse bio-media grid in water taken from the aquarium. Do not rinse bio-media grid in tap water and do not use cleansers to clean.



### Collection Cup:

Always unplug unit from house receptacle (power supply) before removing collection cup or cleaning unit.

Only clean with warm fresh water. Do not use any types of chemical cleaning agents to clean

skimmer. These include, but are not limited to, soap, detergents, alcohol, glass cleaners, polishers, ammonia, etc.

To clean/empty the collection cup:

1. Leaving the collection cup lid in place, lift the entire collection cup from the collection cup housing.
2. Remove collection cup lid and empty contents of the cup.
3. Rinse the collection cup and lid in warm water to remove debris.
4. Return collection cup and lid to housing.

### Pump:

1. Unplug unit from power source before performing maintenance on pump.
2. Remove aquarium filter cover.
3. Carefully remove intake tube from filter tube plate.
4. Carefully remove filter pump from filter body by pressing the motor housing clip.
5. Separate and clean all parts including the impeller. Check the impeller for calcium buildup. If calcium is present, soak impeller in white vinegar until the buildup has dissolved.
6. Rinse thoroughly and reinstall.

### WEEKLY MAINTENANCE

1. Make sure all connections are secure.
2. Observe to see if skimmer is functioning properly and producing waste material.
3. Check air-inlet silencer and make sure it is clean and free of dirt and debris.
4. Clean collection cup and neck of organic build up.

### MONTHLY

1. Clean water pump.
2. Check the impeller for calcium buildup. If calcium is present, soak impeller in white vinegar until the buildup has dissolved.

**NOTE:** Make sure to follow manufacturer instructions for component's proper installation, operation and maintenance.

### EVERY 3 MONTHS

1. Clean water pump.
2. Check the impeller for calcium buildup. If calcium is present, soak impeller in white vinegar until the buildup has dissolved. Also examine impeller needles. If calcium is present, use a cotton swab to gently remove debris.

## TROUBLESHOOTING

|                                                 |                                                                                                                                                                                                                                                                                                   |
|-------------------------------------------------|---------------------------------------------------------------------------------------------------------------------------------------------------------------------------------------------------------------------------------------------------------------------------------------------------|
| No microbubbles produced inside the skimmer     | <ul style="list-style-type: none"> <li>• The air inlet silencer is clogged</li> <li>• Pump is not plugged in</li> <li>• Check salinity</li> </ul>                                                                                                                                                 |
| No foam produced inside collection cup          | <ul style="list-style-type: none"> <li>• Adjust water level inside skimmer</li> <li>• New skimmer may take up to 72 hrs. to adjust properly to aquarium system</li> </ul>                                                                                                                         |
| Water pump is not working                       | <ul style="list-style-type: none"> <li>• Check to make sure power is supplied</li> </ul> <p><b>NOTE:</b> Make sure to follow manufacturer's instruction for component's proper installation, operation and maintenance.</p>                                                                       |
| Water is rapidly overflowing the collection cup | <ul style="list-style-type: none"> <li>• Cartridge is clogged causing water to back up. Clean or replace cartridge</li> <li>• Certain organic chemicals or changes in water chemistry can cause a skimmer to over foam. Close the airline valve for 24 hours and then restart skimming</li> </ul> |

## LIMITED LIFETIME WARRANTY

Central Aquatics warrants that this product shall be free from defective electrical components and leaks or cracks due to defects in materials or workmanship for a period of twelve months from the date of purchase. If a defect is shown, Central Aquatics will, at Central Aquatics's sole discretion, either repair or replace the product without charge. No cash refunds will be made. This warranty is provided solely to the original consumer purchaser of the product and may not be transferred or assigned.

This warranty does not apply to damage resulting from accident, misuse, abuse, lack of reasonable care, failure to follow safety and installation instructions, use of the product with non-standard electrical service, or any other defect not resulting from defects in the electrical components of the product or defects in materials or workmanship. This warranty will not be effective unless and until the Coralife product is shown to have been used in accordance with the safety and installation instructions accompanying the product, including the requirement that the product be placed on a flat, level surface designed to support the product.

THIS CONSTITUTES CENTRAL AQUATICS' ENTIRE WARRANTY AND CENTRAL AQUATICS MAKES NO OTHER WARRANTIES, WHETHER EXPRESS OR IMPLIED, WITH RESPECT TO THE PRODUCT. CENTRAL AQUATICS SPECIFICALLY DISCLAIMS ANY AND ALL IMPLIED WARRANTIES, INCLUDING, WITHOUT LIMITATION, WARRANTIES OF MERCHANTABILITY AND FITNESS FOR A PARTICULAR PURPOSE. IF CENTRAL AQUATICS CANNOT LAWFULLY DISCLAIM IMPLIED WARRANTIES UNDER THIS LIMITED WARRANTY, ALL SUCH WARRANTIES, INCLUDING WARRANTIES OF MERCHANTABILITY AND FITNESS FOR A PARTICULAR PURPOSE ARE LIMITED IN DURATION TO THE DURATION OF THIS WARRANTY.

CENTRAL AQUATICS IS NOT RESPONSIBLE FOR DIRECT, SPECIAL, INCIDENTAL OR CONSEQUENTIAL DAMAGES RESULTING FROM ANY BREACH OF WARRANTY OR CONDITION, OR UNDER ANY OTHER LEGAL THEORY. CENTRAL AQUATICS EXPRESSLY DISCLAIMS ALL ALLEGED DAMAGES FOR LOSS OF AQUATIC LIFE, PERSONAL INJURY, AND/OR PROPERTY DAMAGE. Some states and provinces do not allow the exclusion or limitation of incidental or consequential damages or exclusions or limitations on the duration of implied warranties or conditions, so the above limitations or exclusions may not apply to you. This warranty gives you specific legal rights, and you may also have other rights that vary by state or province.

Central Aquatics shall not have any obligations under this warranty unless the owner notifies Central Aquatics in writing of any alleged defect(s) within 30 days of discovery of the defect(s). Any notice to CENTRAL AQUATICS must be delivered by United States or electronic mail to one of the following addresses:

### U.S. Mail

Central Aquatics  
5401 W. Oakwood Park Drive  
Franklin, Wisconsin 53132

### Electronic Mail

customerservice@coralifeproducts.com

Central Aquatics shall be allowed a reasonable period of time to investigate any warranty claim and to perform any testing Central Aquatics deems necessary to determine the cause of the defect. This warranty shall be interpreted under the laws of the state of Wisconsin.

For additional information regarding this limited warranty, please contact us at the addresses above or call us at 888-255-4527.

